

RF time attendance with access control PY-SC403

Parameters:

B
D

c
a
r
d

C
a
p
a
c
i
t
y

5
0
a
n
s
a
c
t
i
o
n

C
a
p
a
c
i
t
y

C
O
N
F
I
D
E
N
T
I
A
L
/ 4
8
5
,
U
S
B
-
H
O
S
T

A
c
d
e
p
a
r
t
m
e
n
t
o
f
I
n
t
e
r
n
e
t
a
n
d
C
o
m
m
u
n
i
c
a
t
i
o
n
s
.
D
o
o
r
B
e
l
l

W
u
e
p
a
n
&
l
i
b
p
g
n
a
l
i
s
n
a
n
d
p
a
s
s
b
a
c
k
t
i
v
e
M
S
P
o
p
o
k
i
o
m
a
t
y
F
u
W
o
t
k
o
o
d
e
,
W
e
b
s
e
r
v
e
r

D
C
B
p
l
a
y
R
W
e
D
C
S
u
p
p
l
y
O
p
e
r
a

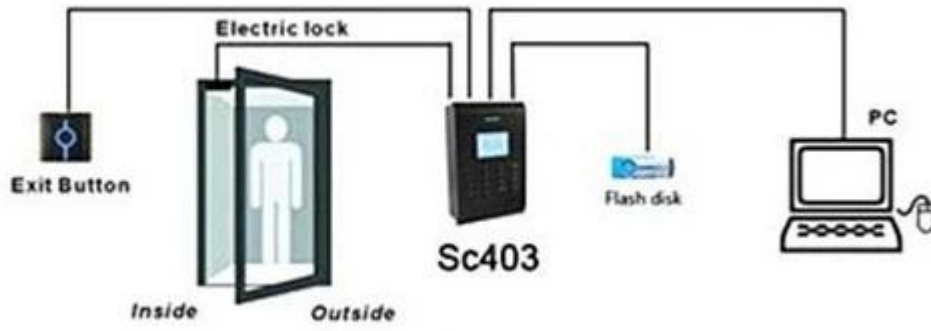
B
n
g
C
T
e
m
p
e
r
a
t
u
r
e
D
%
e
B
%
t
i
n
g
H
u
m
i
d
i
t
y

D
2
Bh
e
B
X
0
B
X
4
B
*
W
*
H
)
m
m
G
7
K
6
S
W
e
i
g
h
t

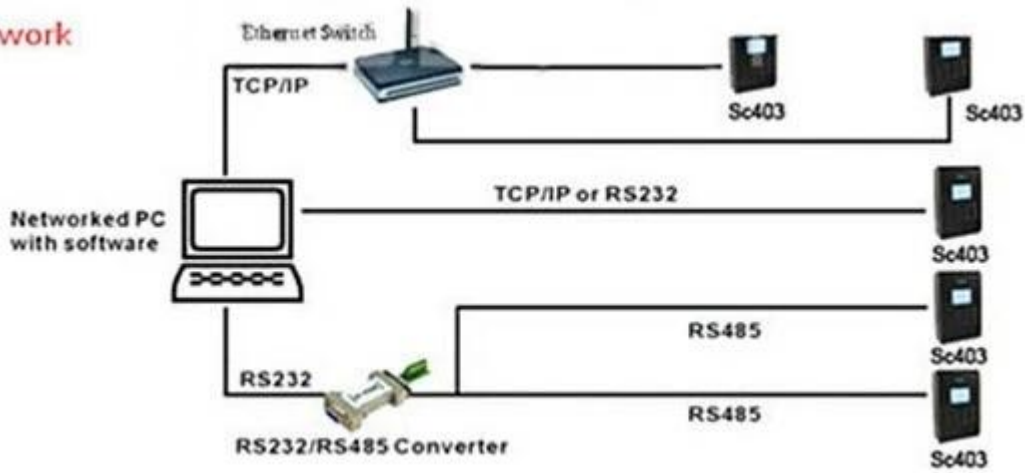
Application: home, office, school, government, building , or other purpose.



Standalone



Network



Country of origin: [RF ID card IC card wholesales china, RF ID card hotel keycard lock factory](#)