

RF time attendance with access control PY-SC403

Parameters:

B
D

c
a
r
d

C
a
p
a
c
i
t
y

5
0
a
n
s
a
c
t
i
o
n

C
a
p
a
c
i
t
y

C
O
N
F
I
D
E
N
T
I
A
L
/ 4
8
5
,
U
S
B
-
H
O
S
T

A
c
d
e
p
a
r
t
o
n
t
e
r
e
t
t
i
n
t
e
r
o
b
a
k
e
d
o
o
r
s
e
n
s
o
r
,
e
x
i
t
b
u
t
t
o
n
,
a
l
a
r
m
,
D
o
o
r
B
e
l
l

W
u
e
g
a
n
&
I
S
p
g
n
a
l
S
h
a
n
d
p
a
s
S
B
a
k
t
i
S
M
S
P
P
o
k
o
m
a
t
y
F
u
W
o
t
k
o
o
d
e
,
W
e
b
s
e
r
v
e
r

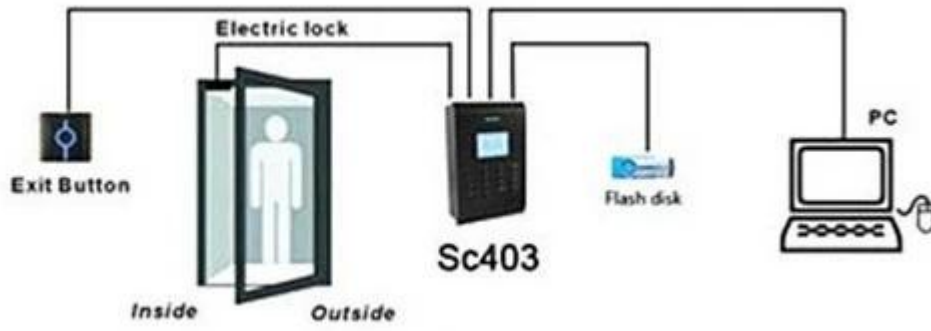
D
C
B
p
l
a
y
R
W
e
D
C
S
u
p
p
l
y
O
p
e
r
a
t
i
o
n
s
a
n
d
C
o
n
t
r
o
l
l
i
n
g
H
u
m
i
d
i
t
y

D
2
h
e
b
x
0
b
x
4
B
*
W
*
H
)
m
m
G
7
K
6
s
W
e
i
g
h
t

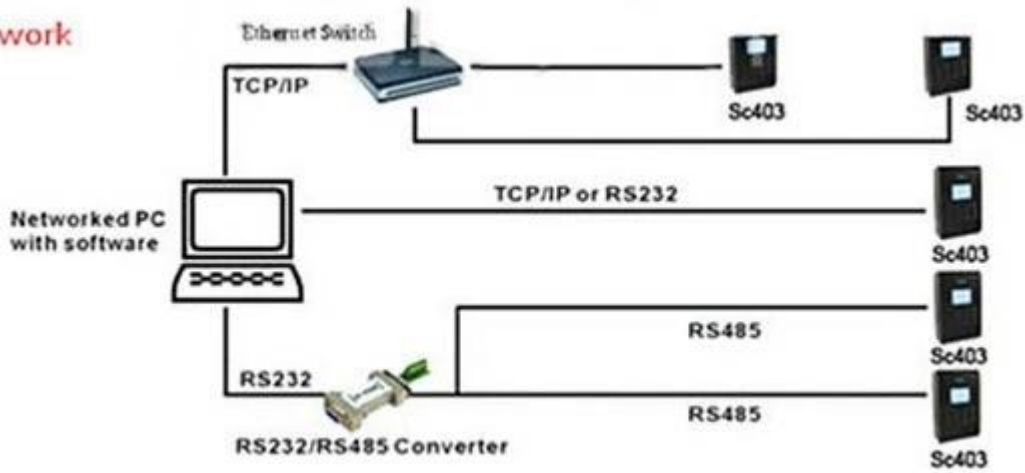
Application: home, office, school, government, building , or other purpose.



Standalone



Network



Country of origin: [RF ID card IC card wholesales china, RF ID card hotel keycard lock factory](#)