

PY-5500

Finger & RFID

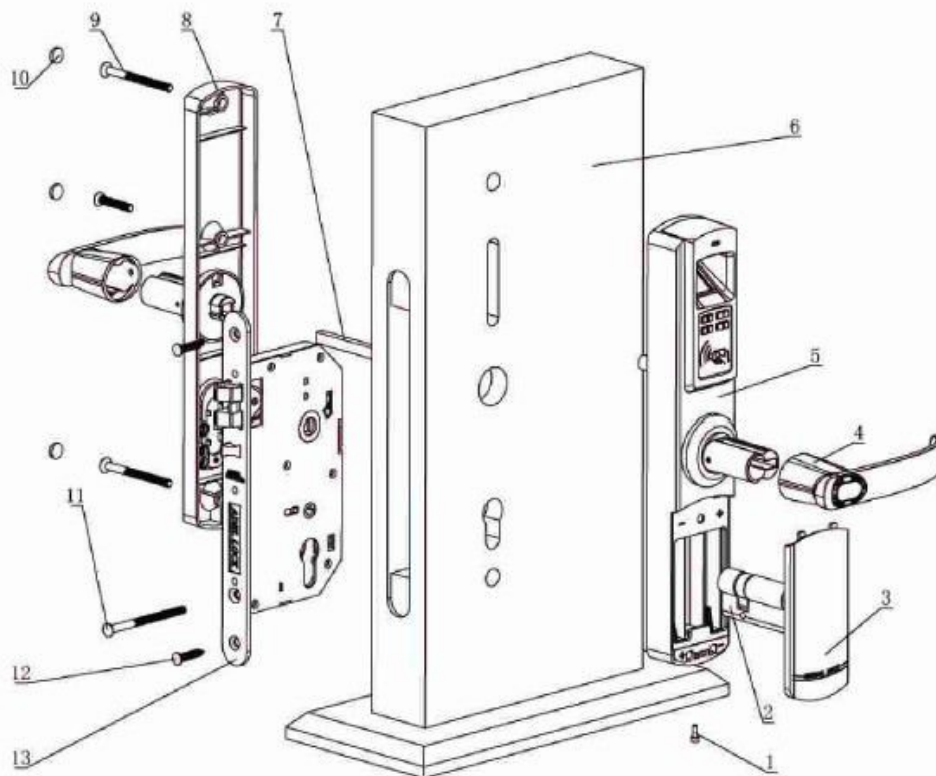
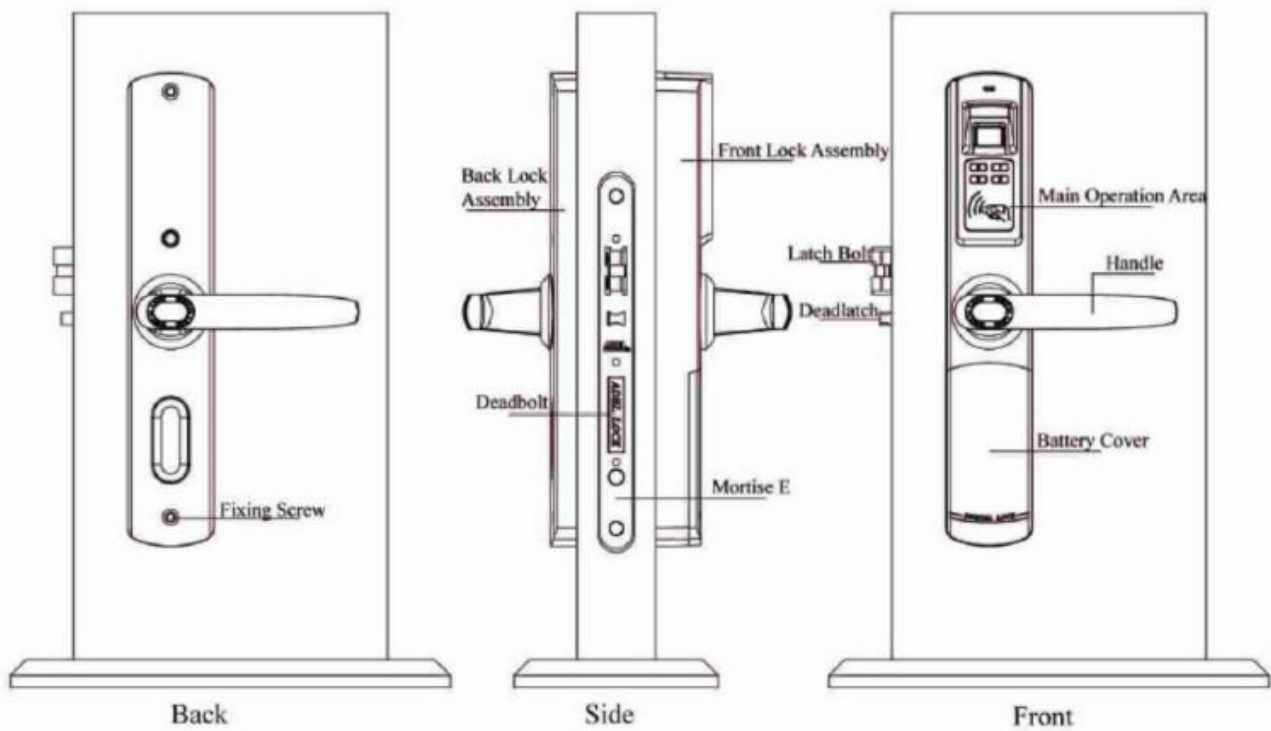
Features:

- MIFARE®
• Pression
• MIFARE®
• MIFARE®
• 2
• 1 50
• 12
• using MIFARE®

6.0V
< 100µA
< 200mA
10
4.5V
> 25
0 '70 ~ C
≤80%

Specifications:

● Part Name



Part Name:

1. Hexagonal screw (M3*8)
2. Cylinder
3. Battery cover
4. Handle
5. Front lock assembly
6. Door
7. Square shaft
8. Back lock assembly
9. Fixing screw (M5)
10. Screw cover
11. Cylinder fixing screw (M5*70)
12. Wood screw (M4*25)
13. Mortise







